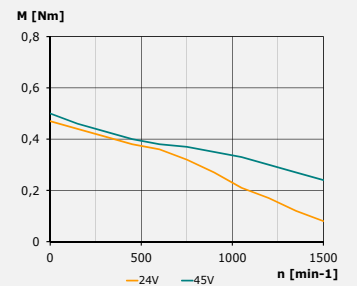


		Series 23S16-0250- 00000-AA	Series 23S21-0250- 00000-AA	Series 23S31-0250- 00000-AA	Series 23S31-0420- 00000-AA
→ Rated Values					
Max. holding torque	[Nm]	0.5	1.0	1.6	1.7
Peak current (per phase)	[A _{RMS}]	2.5		4.2	
max. DC link voltage	[V _{DC}]	60			
→ Technical Data Motor					
Step angle	[°]	1.8			
Winding resistance (at 25 °C)	[Ω]	0.8	1.3	1.7	0.72
Winding inductivity	[mH]	1.6	4.0	6.0	1.70
Motor inertia	[kgm ² ·x10 ⁻³]	0.01	0.026	0.046	0.046
Residual torque	[Nm]	0.02	0.04	0.07	0.07
Insulation resistance*)	[MΩ]	min. 100			
Insulation class		B, 130 °C			
Max. motor temperature	[°C]	+80			
Ambient temperature	[°C]	-20...+40			
Protection class (w/o side A)		IP30			
Max. axial load	[N]	80			
Max. radial load	[N]	100			
Mass	[kg]	0.5	0.7	1.0	1.0
Motor length (L)	[mm]	41	54	76	76

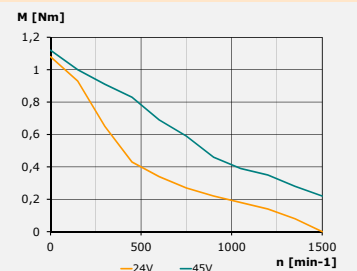
*) Insulation resistance at 500 V_{DC} and 20°C

	Series 23S16-0250- 00000-AA	Series 23S21-0250- 00000-AA	Series 23S31-0250- 00000-AA	Series 23S31-0420- 00000-AA
→ Motor Cable Wires				
Connection	Wire colour		Wire colour	
Phase A	black		black	
Phase /A	orange		orange	
Phase B	red		yellow	
Phase /B	brown or yellow		red	
Cable length 0,3 m, single wires				

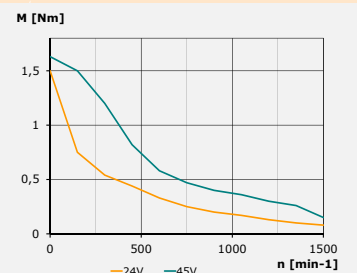
→ Characteristic 23S16 / ECOSTEP®54



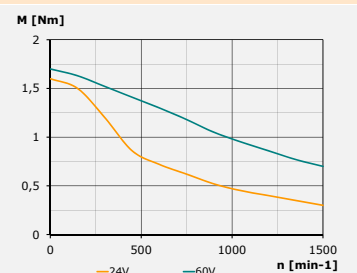
→ Characteristic 23S21 / ECOSTEP®54

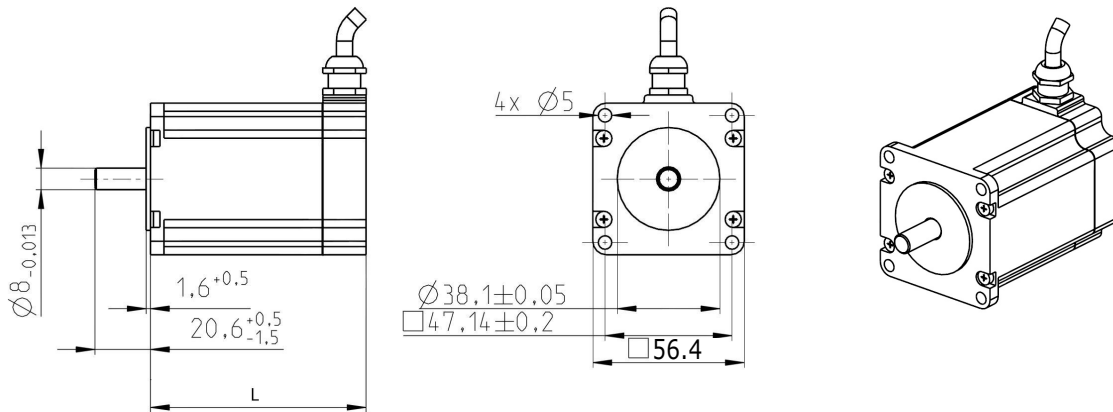


→ Characteristic 23S31-0250 / ECOSTEP®54



→ Characteristic 23S31-0420 / ECOVARIO®114D





Series
23S31-0650-80000-13

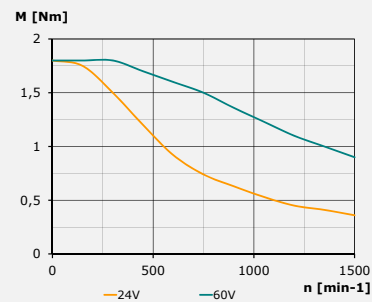
→ **Rated Values**

Max. holding torque	[Nm]	1.8
Peak current (per phase)	[A _{RMS}]	6.5
max. DC link voltage	[V _{DC}]	60

→ **Technical Data Motor**

Step angle	[°]	1.8
Winding resistance (at 25 °C)	[Ω]	0.36
Winding inductivity (at 25 °C)	[mH]	1.1
Motor inertia	[kgm ² x10 ⁻³]	0.046
Insulation class		B, 130 °C
Ambient temperature	[°C]	-20...+40
Protection class		IP40
Max. axial load	[N]	80
Max. radial load	[N]	100
Mass	[kg]	1.0
Motor length (L)	[mm]	80

→ **Characteristic 23S31-0650 / ECOVARIO®114D**



→ **Motor Cable Wires**

Connection	Wire colour
Phase A	black
Phase /A	orange
Phase B	red
Phase /B	brown
PE	gn-ye
Shield	bare

Cable length 1.2 m