



Economy Series

ES4 ES6 EC3 EC4

ES6

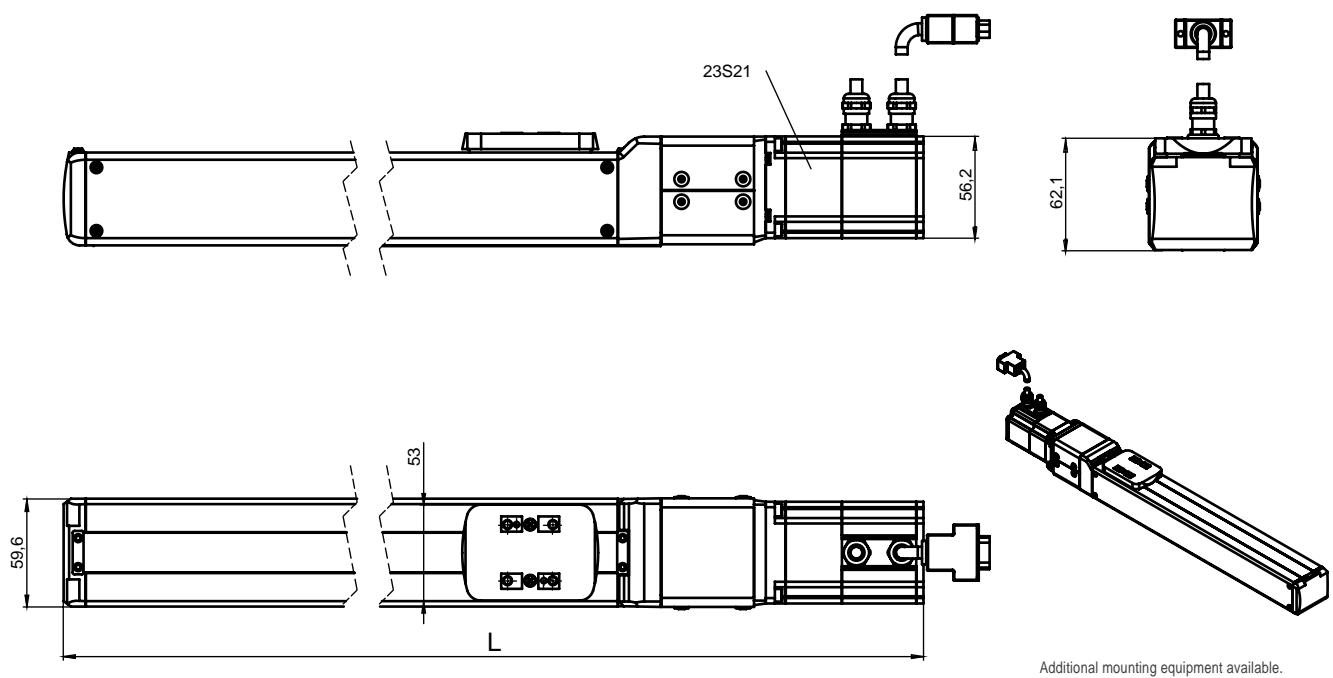
Model Configuration

Model	Ball screw lead	Stroke	Sensor	Motor**	Holding brake
ES6	006	0150	0	23S21	0
	006: 6 mm	0050: 50 mm	0: Without	23S21	0: Without
	012: 12 mm	to	1: One sensor *	23E21	1: Holding brake
		0600:600mm	2: Two sensors *		

* on special request

** encoder res. 40.000 inc/rev

Dimensions

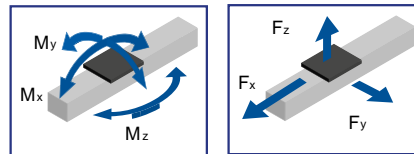


		ES6-xxx-0050	ES6-xxx-0600
Length* L	[mm]	321.5	871.5

* depends on motor type and holding brake

Basic Specifications (Axis)

Series ES6-xxx		
LM Guide	Basic dynamic load rating C [N]	5480
	Basic dynamic load rating C0 [N]	5300
	Radial clearance [μm]	±3
Ball screw portion	Shaft diameter [mm]	Ø8
	Lead [mm]	6 12
	Basic dynamic load rating Ca [N]	1770 920
	Basic dynamic load rating C0a [N]	3040 1600
	Root diameter [mm]	Ø6.8
	Ball center-to-center diameter [mm]	Ø8.4
Bearing portion	Axial direction - Basic dynamic load rating Ca [N]	8000
	Axial direction - Static permissible load P0 [N]	3240
Permissible rotational speed [min ⁻¹]		3000
Starting torque [Nm]		0.015 0.029
Positioning repeatability [mm]		±0.020
Lost motion [mm]		0.1
Maximum input torque [Nm]		0.35



Static Values		
Torque Mx	Nm	10.5
Torque My	Nm	22
Torque Mz	Nm	22.1
Force Fx	N	120
Force Fy	N	100
Force Fz	N	100

Basic Specifications (Axis and Motor)

		Series ES6-006		Series ES6-012	
Rated Values					
Mounting position		vertical	horizontal	vertical	horizontal
Ball screw	[mm]	8x6		8x12	
Acceleration	[m/s ²]	2	3	2	3
Velocity	[m/s]	0.3	0.3	0.5	0.5
Load	[kg]	5	10	2	6
Feed force	[N]	10	30	4	18
Resolution / Accuracy					
Positioning resolution ¹⁾	[μm]	0.15		0.3	
Repeatability	[μm]	±20			
Accuracy	[μm/300mm]	100			

¹⁾ Encoder resolution 40.000 inc/rev

Amplifier Specifications

		ECOVARIO 114	ECOVARIO 114D	ECOMiniDual
1-phase AC Supply				
Supply voltage	V _{AC}	20 .. 48	-	-
Line frequency	Hz	50 .. 60	-	-
Rated power	VA	480	-	-
DC Supply				
Supply voltage	V _{DC}	24 .. 70	24 .. 70	24 .. 70
Rated power	W	700	960	260



ECOVARIO 114

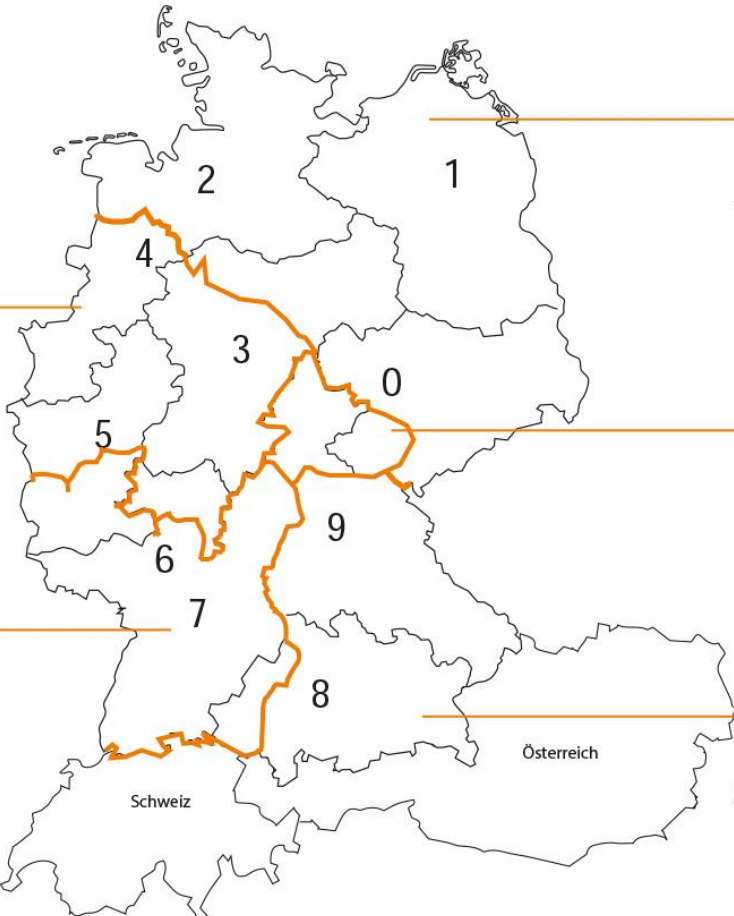


ECOMiniDual

Actuator Units

NEW All-in-one-solution

Contact Persons:



The map shows Germany divided into numbered regions (0-9) and surrounding areas (Schweiz, Österreich). Lines connect these regions to the contact persons listed below:

- Region 1:** Thomas Haugk
- Region 2:** Christopher Kohaut
- Region 3:** Christopher Kohaut
- Region 4:** Christopher Kohaut
- Region 5:** Christopher Kohaut
- Region 6:** Kurt Hokenmaier
- Region 7:** Kurt Hokenmaier
- Region 8:** Kurt Hokenmaier
- Region 9:** Hanno Starker
- Region 0:** Hanno Starker
- Region 10 (Schweiz):** Kurt Hokenmaier
- Region 11 (Österreich):** Marco Schwarz



Christopher Kohaut
PLZ:
32-37
4
50-53, 57-59
60-63, 65



Kurt Hokenmaier
PLZ:
54-56
64, 66-69
7
88-89
97



Thomas Haugk
PLZ:
01-06, 08-09
1
2
30, 31, 38, 39



Hanno Starker
PLZ:
07
98-99



Marco Schwarz
PLZ:
8-87
90-96
Österreich
Schweiz

Thomas Haugk	Tel.: +49 3641 63376-903	thomas.haugk@jat-gmbh.de
Christopher Kohaut	Tel.: +49 3641 63376-913	christopher.kohaut@jat-gmbh.de
Hanno Starker	Tel.: +49 3641 63376-43	hanno.starker@jat-gmbh.de
Kurt Hokenmaier	Tel.: +49 151 61088773	kurt.hokenmaier@jat-gmbh.de
Marco Schwarz	Tel.: +49 3641 63376-907	marco.schwarz@jat-gmbh.de